

FK **FUKE** 福客®

FK7-70HT

进 取 不 止

FUKE

Boutique Manufacturing

Conquer The World With Quality



www.fukeonline.com

fk002@fukebn.com

FUKE FK7-70HT **Basic Information**

Load

70T

Weight

23.6T

Total tank volume

80.3m³

Effective volume of tank

78.7m³

Max. working pressure

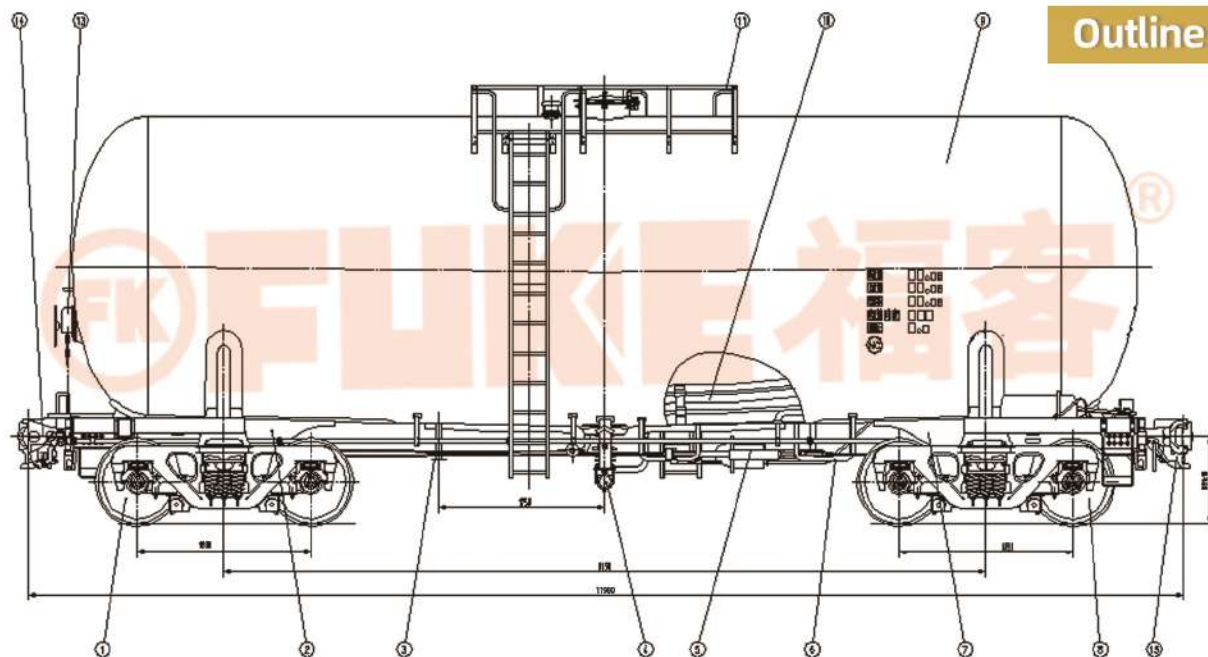
0.15MPa

Manufacturer

FUKE

www.fukeonline.com

fk002@fukebn.com



Outline

Technical Specification

Model	FUKE FK7-70HT
Shipping medium	Chemical media such as gasoline, kerosene, diesel, etc.
Load	70t
Self-respect	23.6t
Axle load	23t
Total tank volume	80.3m ³
Effective volume of tank	78.7m ³
Maximum working pressure	0.15MPa
Vehicle size(L*W*H)	11980*2912*4263mm
Commercial operation speed	120km/h
Manufacturer	FUKE

Product Description

The equipment uses a beamless structure. It is mainly composed of tank body assembly, traction pillow assembly, coupler buffer device, brake device, bogie and safety accessories. Breathing safety valve with assisted opening manhole, stainless steel spring and valve core; FK-type E-class steel coupler, large-capacity buffer, automatic adjustment device for empty and heavy vehicles, hand brake and stainless steel brake fittings piping system and Bogies have improved technical performance to ensure commercial operation speeds up to 120km/h.

Outline

