

**FK** **FUKE** 福客®

**FUKE**

**Boutique Manufacturing  
Conquer The World With Quality**



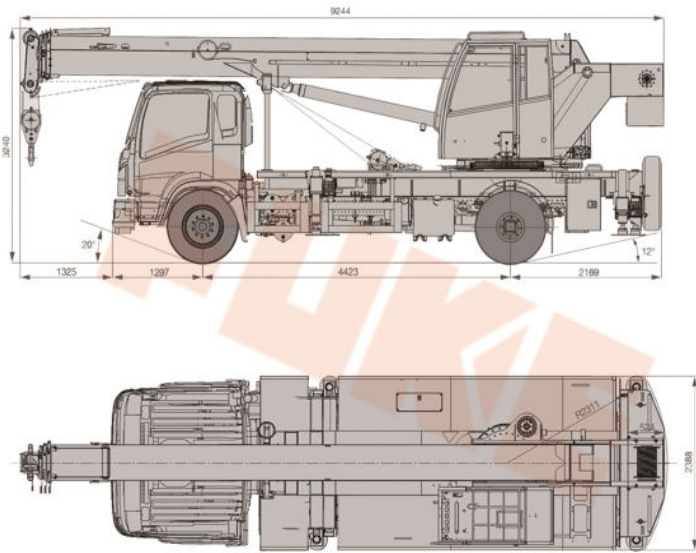
**FK-08T**

进 取 不 止

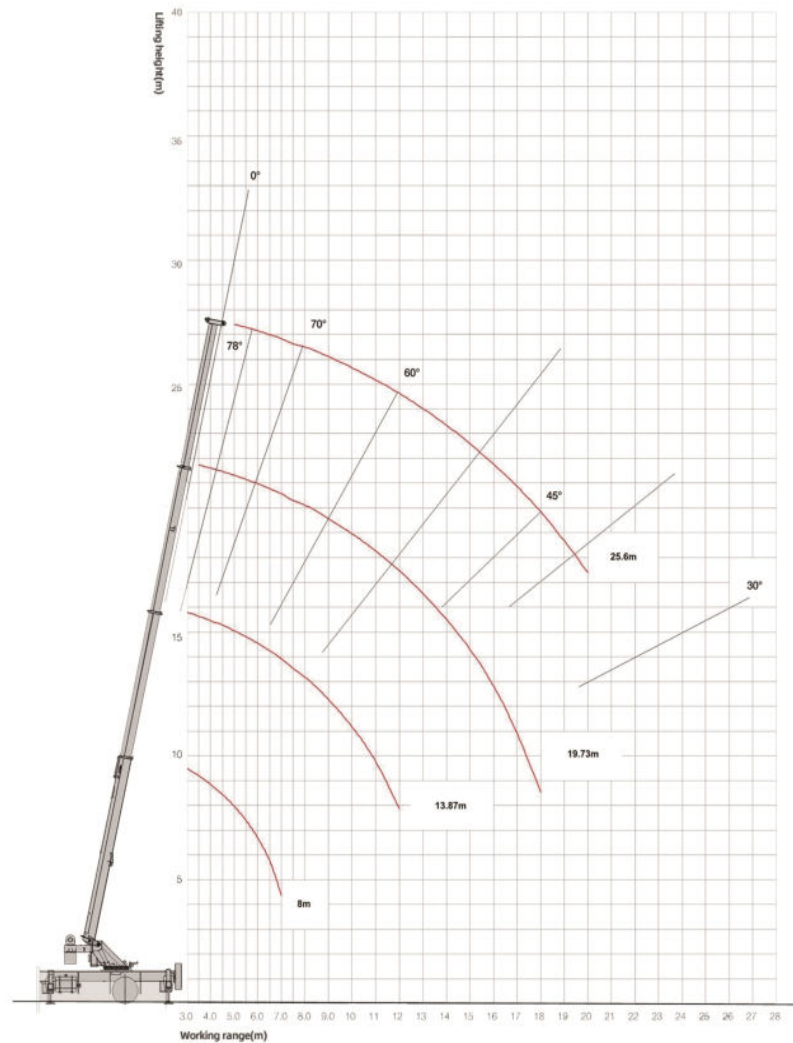
[www.fukeonline.com](http://www.fukeonline.com)

[fk002@fukebn.com](mailto:fk002@fukebn.com)

## Crane dimensions



## Lifting height curve of main and jib



## Main technical parameters

Overall length * width * height	9300*2400*3210 mm
Wheelbase	4400 mm
Engine model	Yuchai YC4E140
Engine rated output power	103/2600 Kw/rpm
Engine maximum output torque	800/(1200-1700) N.m/rpm
Total mass of the whole machine	12600 kg
Maximum travel speed	> 90 km/h
Minimum turning radius	8 m
Minimum ground clearance	260 mm
Approach angle	18 °
Departure angle	12 °
Braking distance (vehicle speed is 30km/h)	8 m
Maximum grade	35%
Fuel consumption per hundred kilometers	18 L
Maximum rated total lifting capacity	8 t
Minimum rated range	3 m
Maximum lifting moment	318/203 kN.m
Outrigger span (horizontal x longitudinal)	4.9x4.39 m
Lifting height (Basic boom/longest main boom)	9/26 m
Boom length(Basic boom/longest main boom)	8/25.6 m
Maximum speed of single rope of main winch (no load)	> 140 m/min
Boom fully extended/retracted time	32/35 s
Full lifting/falling time of boom	30/50 s
Swing speed	2 r/min
Horizontal outrigger full extension/retraction time	20/15 s
Vertical outrigger full retract/release time	20/15 s

## Main boom performance table

Amplitude (m)	8	13.87	19.73	25.6	Amplitude (m)
3	8000				3
3.5	8000				3.5
4	7950	6200			4
4.5	6600	5800	5500		4.5
5	5700	5300	5200		5
5.5	5000	5000	5000		5.5
6	4500	4500	4500	3300	6
6.5		4000	4000	3100	6.5
7		3500	3800	2900	7
7.5		3200	3300	2700	7.5
8		2800	3000	2500	8
9		2300	2500	2200	9
10		1900	2100	2000	10
11		1600	1750	1700	11
12		1300	1500	1500	12
14			1150	1100	14
16			850	900	16
18				670	18
20				500	20
Magnification	6	6	4	3	Magnification

\*We follows the principle of continuous improvement Product performance parameters will be partially changed due to technical improvements without prior notice.



Contact us:  
Phone/Whatsapp:+8613505697380  
Email:fk002@fukebn.com/fuke7380@gmail.com