

FK **FUKE** 福客®

FUKE

**Boutique Manufacturing
Conquer The World With Quality**



FK-936G

进 取 不 止

www.fukeonline.com

fk002@fukebn.com

Basic Configuration

Bucket capacity

2.0m³

Operation weight

10000kg

Rated load

2800kg

Wheel base

2350mm

*We follows the principle of continuous improvement Product performance parameters will be partially changed due to technical improvements without prior notice.

Anhui Fuke Heavy Industry Equipment Co., Ltd.

Web: www.fukeonline.com

Basic Parameters

Bucket Capacity: 2m³

Rated Load: 2800 Kg

Wheel Base: 2350mm (D)

Wheel Tread: 2150mm

Min. Ground Clearance: 380mm

Max. Dumping Height: 3500 Mm

Dump Distance: 1080mm

Total Times: 9s

Operation Weight: 10000kg

Rated Power/ Speed: 92kw

Dimension (L*W*H):6500*2280*3050 mm (A*B*C)

Comfortable operation

Safe performance

Strong bearing

Driving comfort

Easy maintenance

Reliable structure

Excellent efficiency

Booster

Car air conditioner

Protective Device

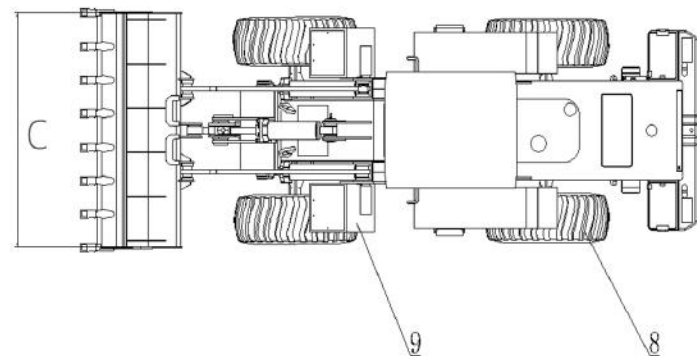
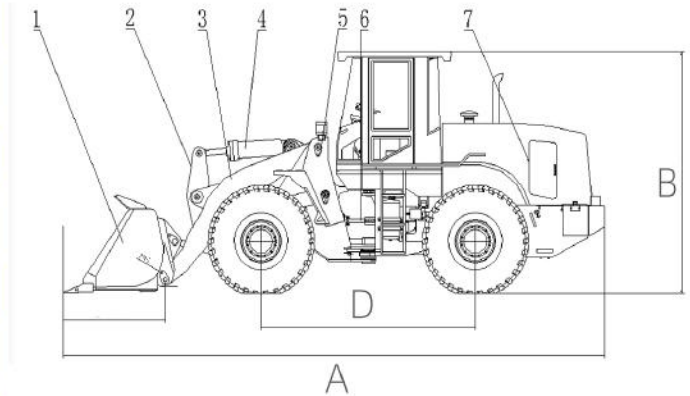
GPS positioning

On-board repair tools

CD Player

Fire extinguisher

Loader Outline



Accessories



*We follows the principle of continuous improvement Product performance parameters will be partially changed due to technical improvements without prior notice.

Contact us:

Sun Xianfeng - Phone/Whatsapp:+8613505697380 |

Email:fk002@fukebn.com/fuke7380@gmail.com |

Mr.Zhang - Phone/Whatsapp:+8613291848418 | Email:zh@fukebn.com

Web:

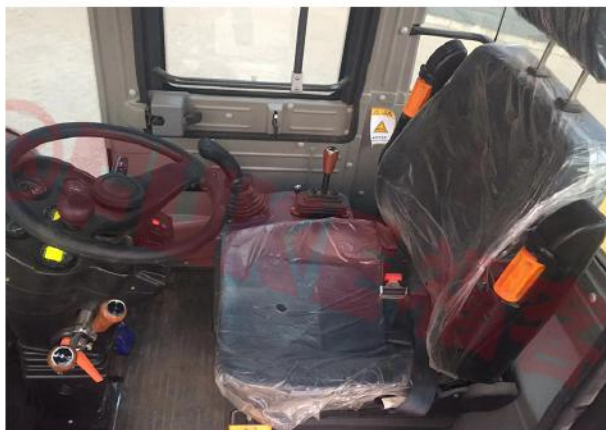
www.fukeonline.com



Type 1 Mechanical Operating System



Type 2 Pilot Operating System



Type 3 Advanced Operating Systems

(Pilot and Image Operating Systems)



*We follows the principle of continuous improvement Product performance parameters will be partially changed due to technical improvements without prior notice.

Contact us:

Sun Xianfeng - Phone/Whatsapp:+8613505697380 |

Email:fk002@fukebn.com/fuke7380@gmail.com |

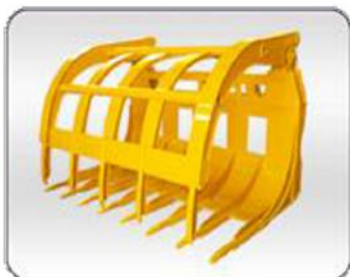
Mr.Zhang - Phone/Whatsapp:+8613291848418 | Email:zh@fukebn.com

Web:
www.fukeonline.com



Loader accessories ●

▼ Grass cutter



▼ Clamping machine



▼ Sliding fork



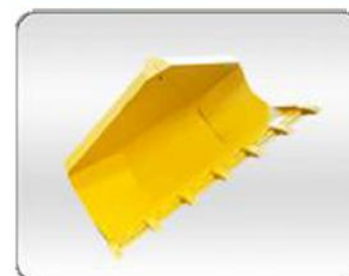
▼ Flat fork



▼ Coal scuttle



▼ Side dump



▼ Rock bucket



▼ Breaker



▼ Snowplow



▼ Snow shovel



▼ Quick change tooling



*We follow the principle of continuous improvement. Product performance parameters will be partially changed due to technical improvements without prior notice.

Contact us:

Sun Xianfeng - Phone/Whatsapp: +8613505697380 |

Email: fk002@fukebn.com / fuke7380@gmail.com |

Mr. Zhang - Phone/Whatsapp: +8613291848418 | Email: zh@fukebn.com

Web:
www.fukeonline.com

