

FK-F3T



Basic Information

Diesel tank capacity

56L

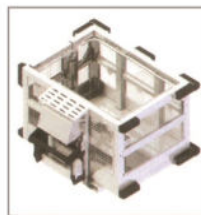
Weight unladen

4750 kgs

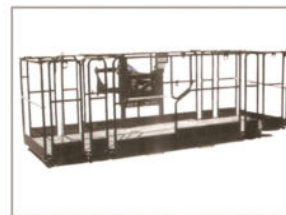
Rated output/r.p.m

36.8kw

Optional Configuration



Mine working platform



Folding working platform



Fork



Single hook boom



Three hook boom



Hoist



Bucket



Tire Manipulator

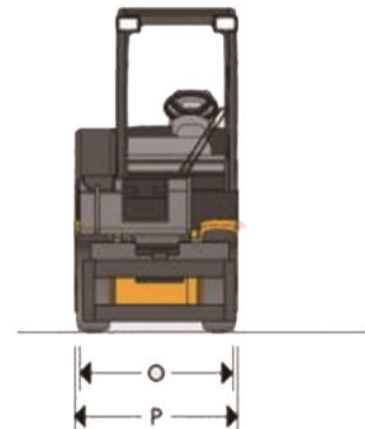
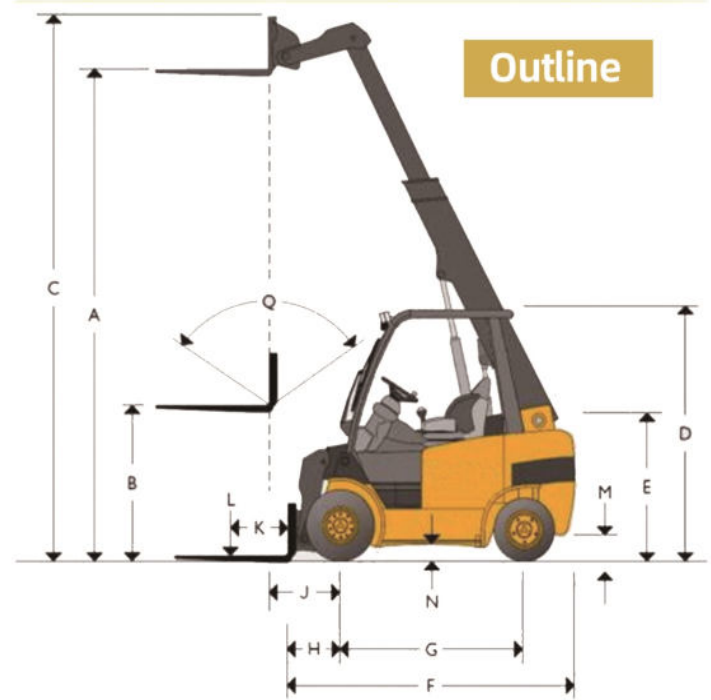


Cylinder manipulator

Basic Parameters

Technical Specification

| | | |
|---|----------------------------------|---|
| Engine Manufacturer | FK-F3T | |
| Tier compliant | Tier 2 stage II/Tier 3 stage III | |
| Engine model | Yuchai | |
| Engine output (gross power) | 36.8 kw | |
| Cubic capacity | 2670/3168 cm ³ | |
| Rated | 2600 rpm | |
| Number of cylinders | 4 | |
| Working pressure | 190 bar | |
| Maximum reach boom horizontal(500mm load centre) | 2380 mm | |
| Turning radius | 2500 mm | |
| Weight unladen | 4750 kgs | |
| Travel speed | 20 km/h | |
| Gradeability(laden/unladen) | 25/21 % | |
| Transmission | Electro-hydraulic automatic | |
| Park brake type | Hand | |
| Tyres(Front) | 28x9-15 | |
| Tyres(Rear) | 6.50-10 | |
| Diesel tank capacity | 56 L | |
| Lift height | 4060 mm | A |
| Free lift | 1400 mm | B |
| Height(Boom extended) | 4680 mm | C |
| Height of overhead guard | 2300 mm | D |
| Height of operators seat(high/low) | 1200/1150 mm | E |
| Length to fork face | 2850 mm | F |
| Wheelbase | 1680 mm | G |
| Distance from c/l of front axle to fork face | 600 mm | H |
| Distance from c/l of front axle to fork face(full height) | 850 mm | J |
| Load centre | 500 mm | K |
| Lift capacities(with side shifter) | 3000 kg | L |
| Ground clearance(lowest point) | 200 mm | M |
| Ground clearance (wheelbase centre) | 190 mm | N |
| Fork carriage width | 1280 mm | O |
| Maximum width of machine | 1400 mm | P |
| Carriage tilt total*F/B variable through lift arc | 111 degrees | Q |



Outline

*We follows the principle of continuous improvement Product performance parameters will be partially changed due to technical improvements without prior notice.

